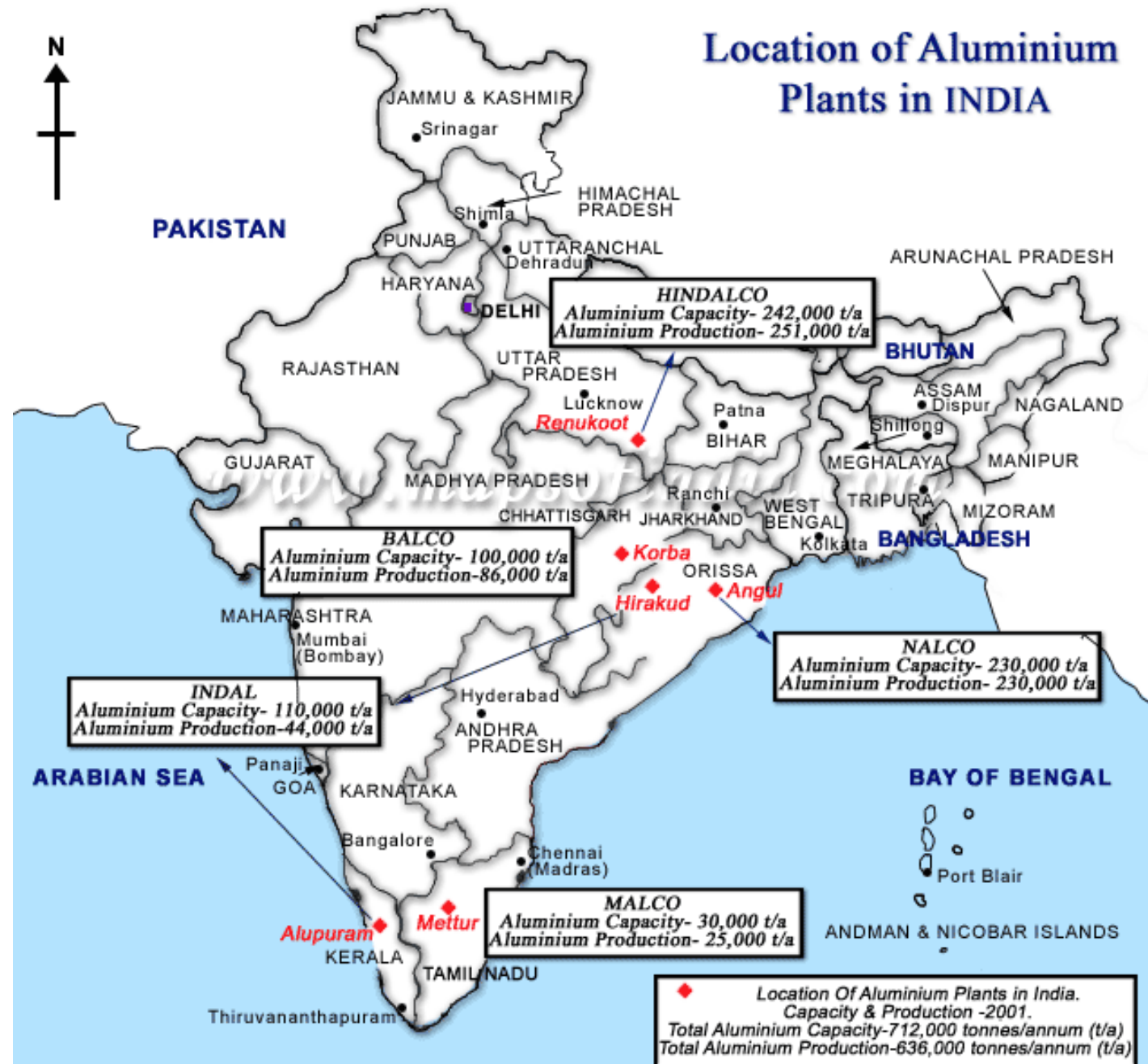
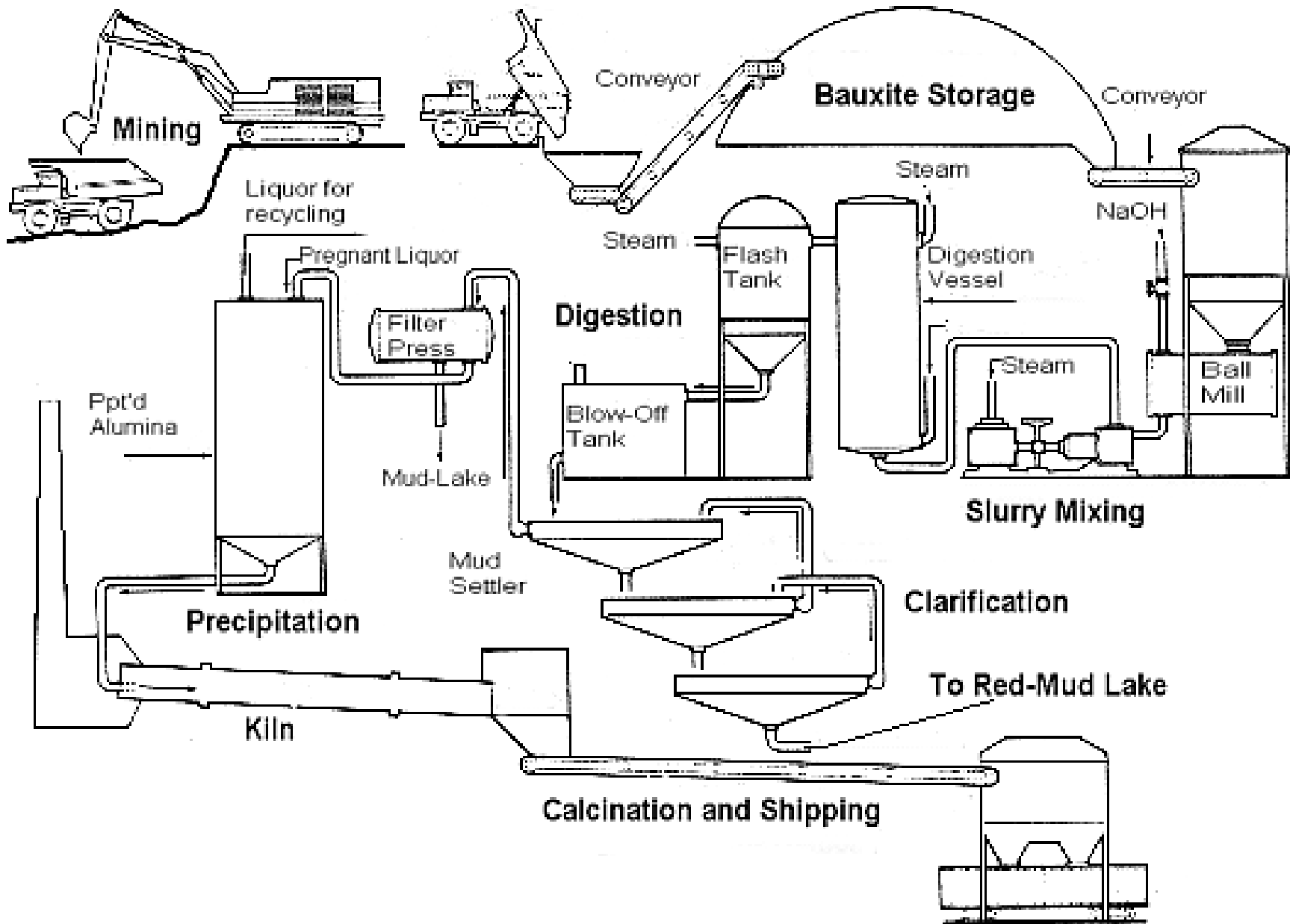


Location of Aluminium Plants in INDIA







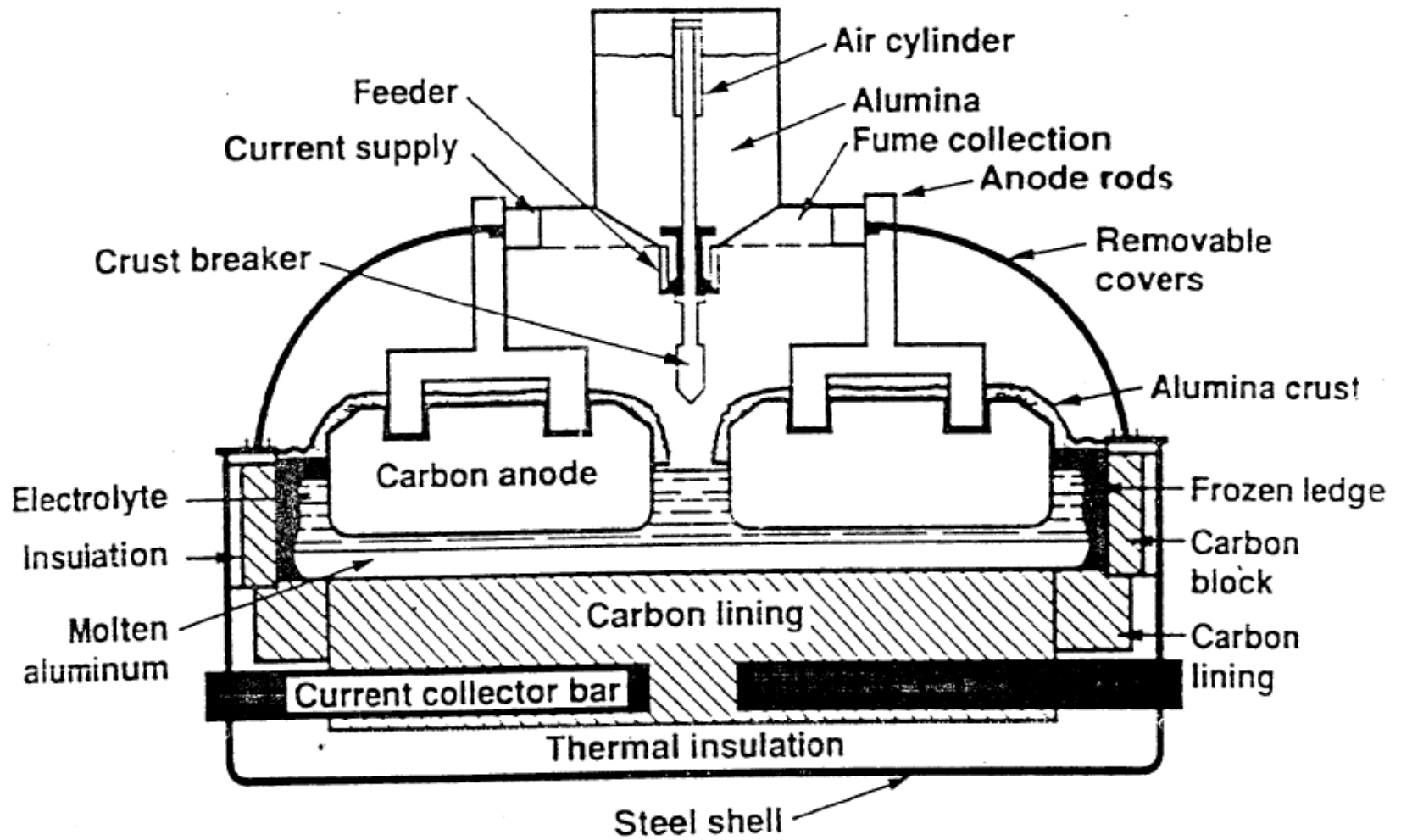
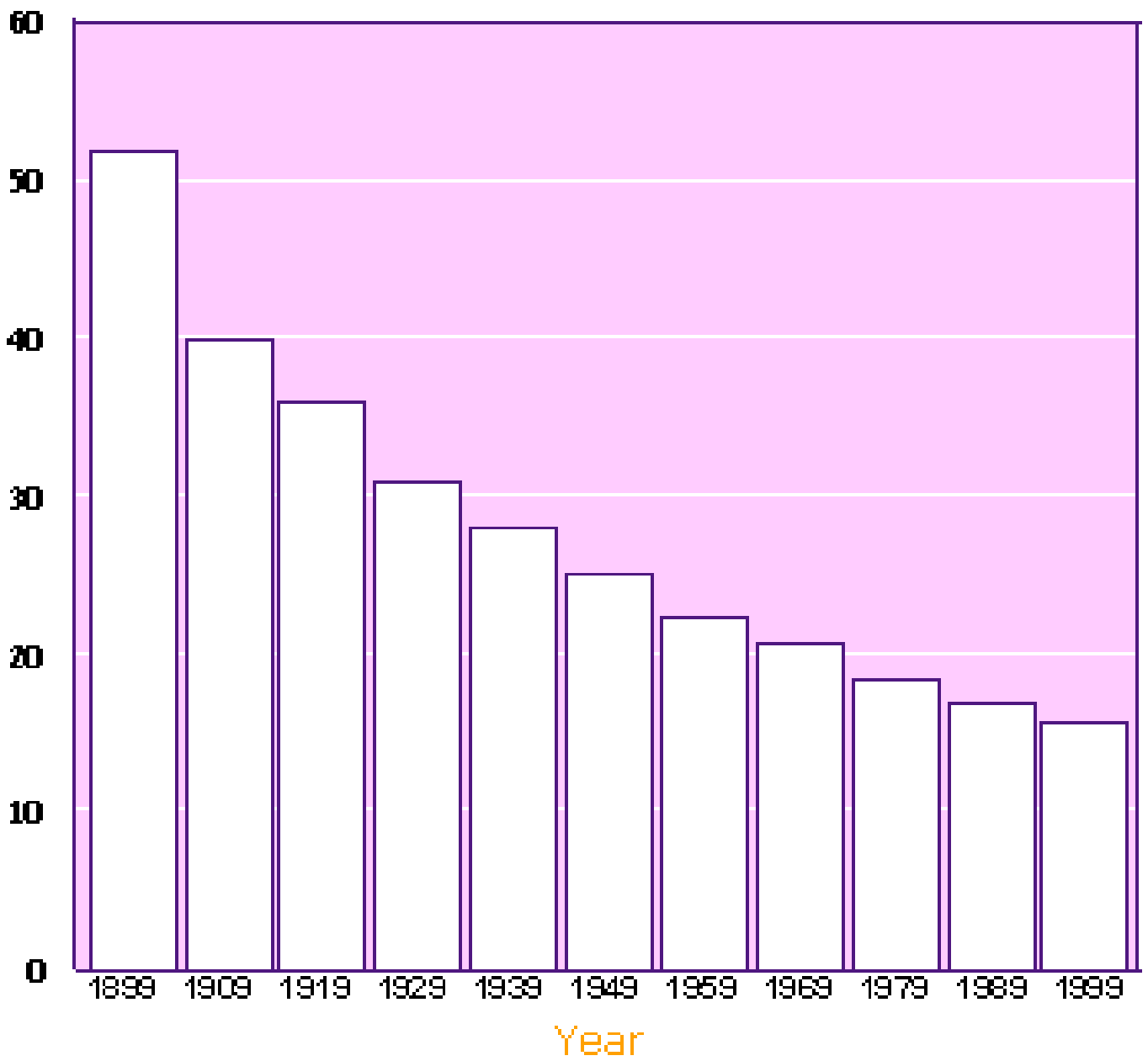
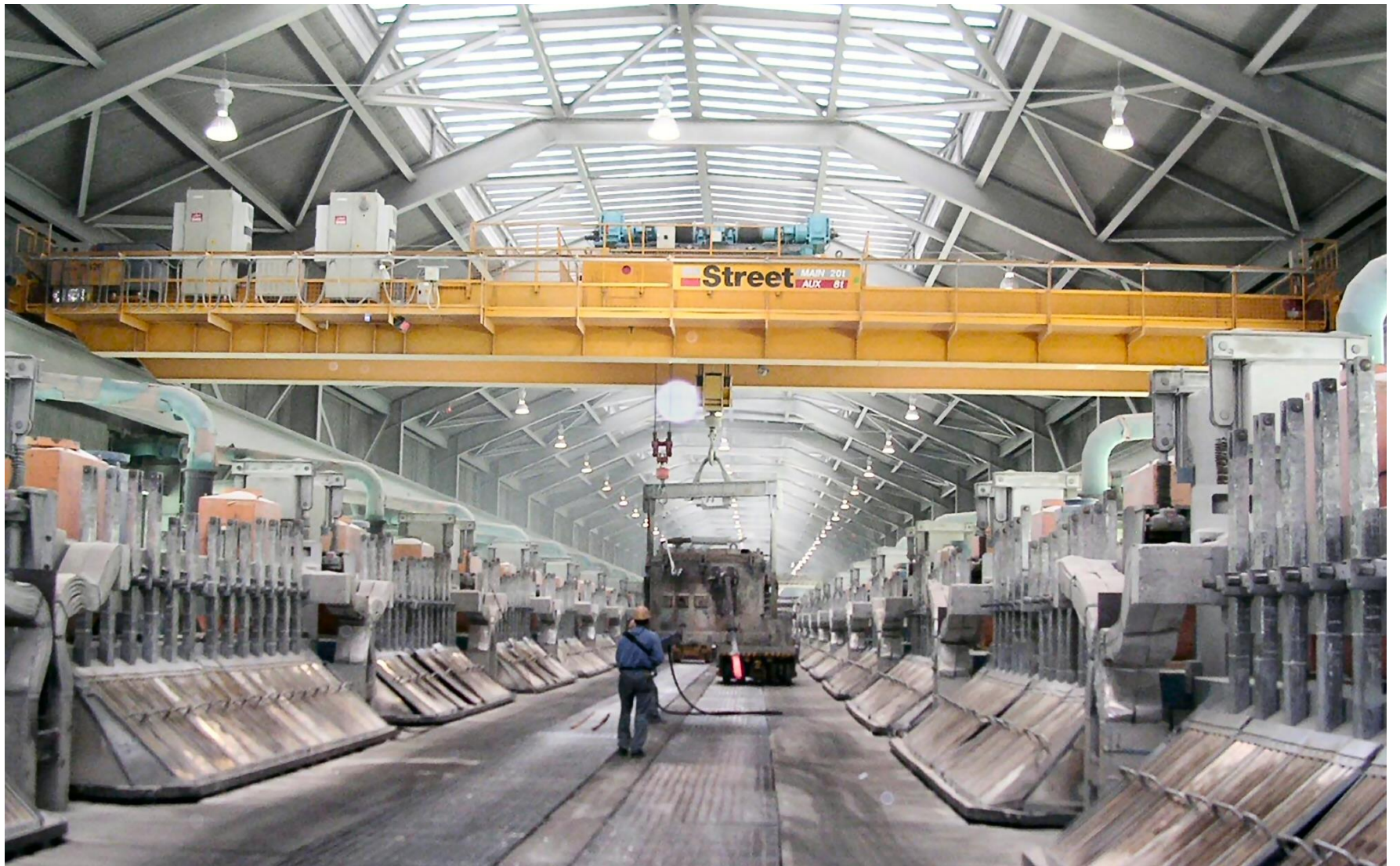


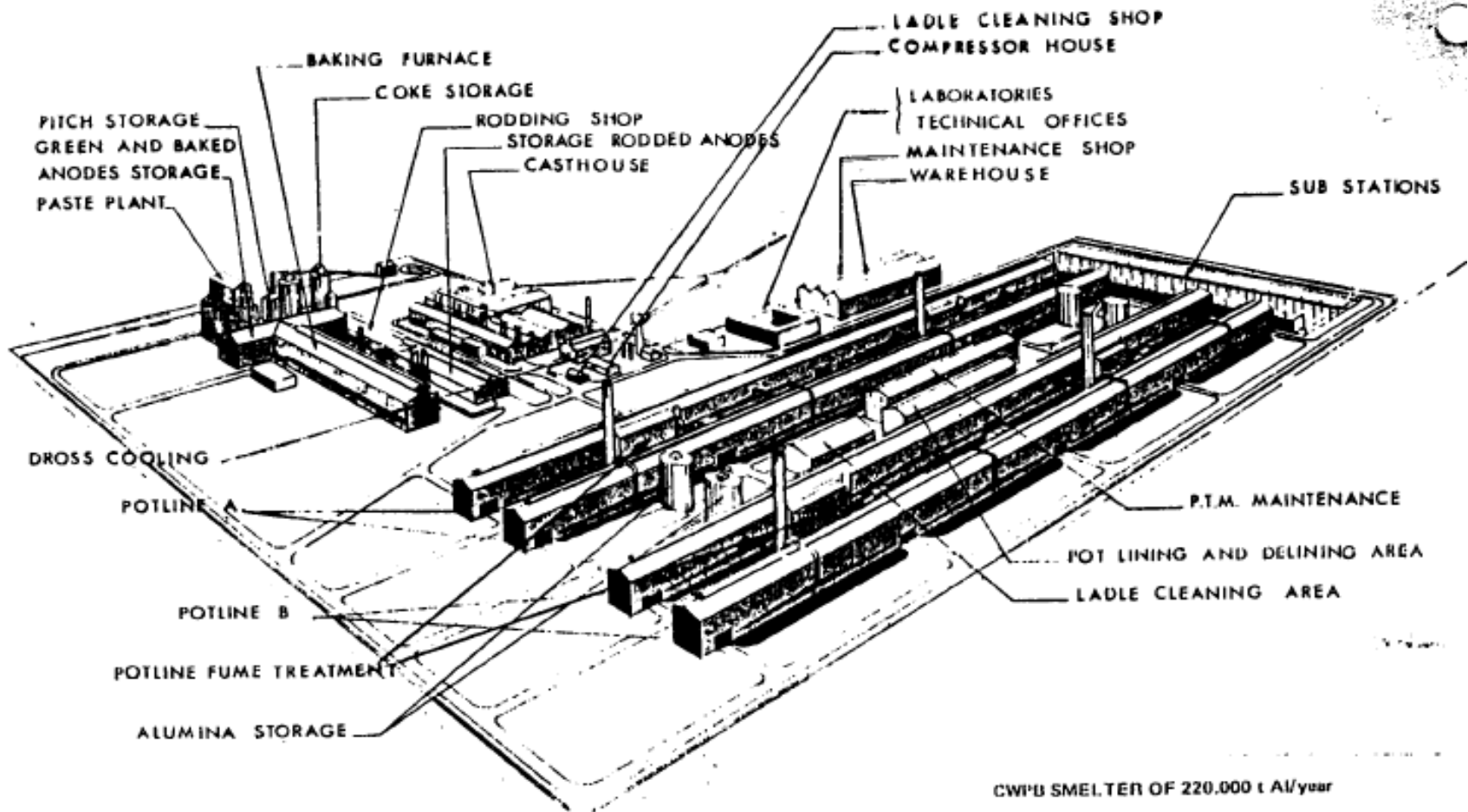
Figure: Aluminum Electrolyzing Cell- Prebaked Anode.

kilowatt
hours
per
kg Al









CWPB SMELTER OF 220,000 t Al/year

SMELTER

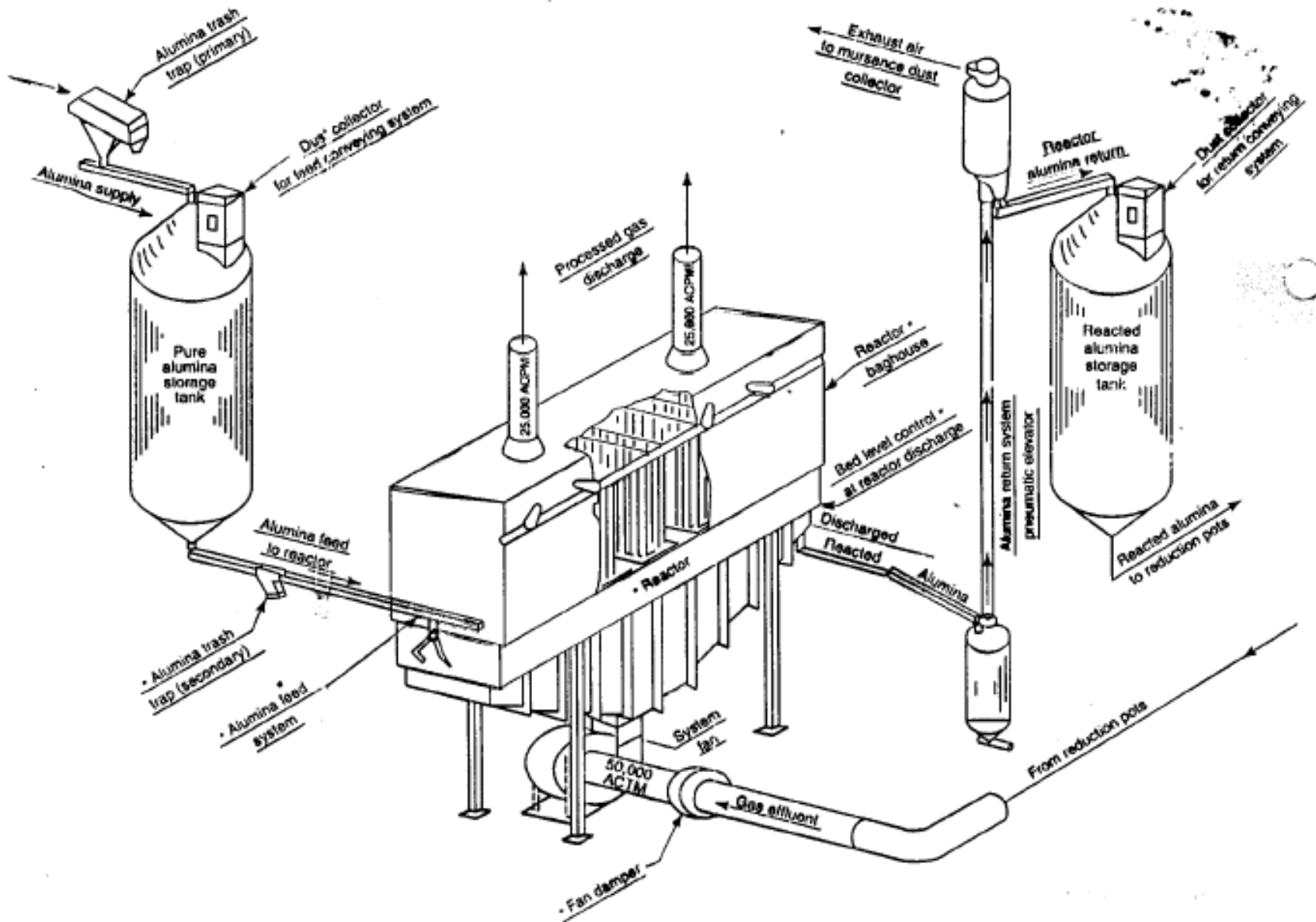


Figure: Fluid-Bed Scrubber for Potroom Fumes (Aluminum Company of America, Pittsburg, PA)

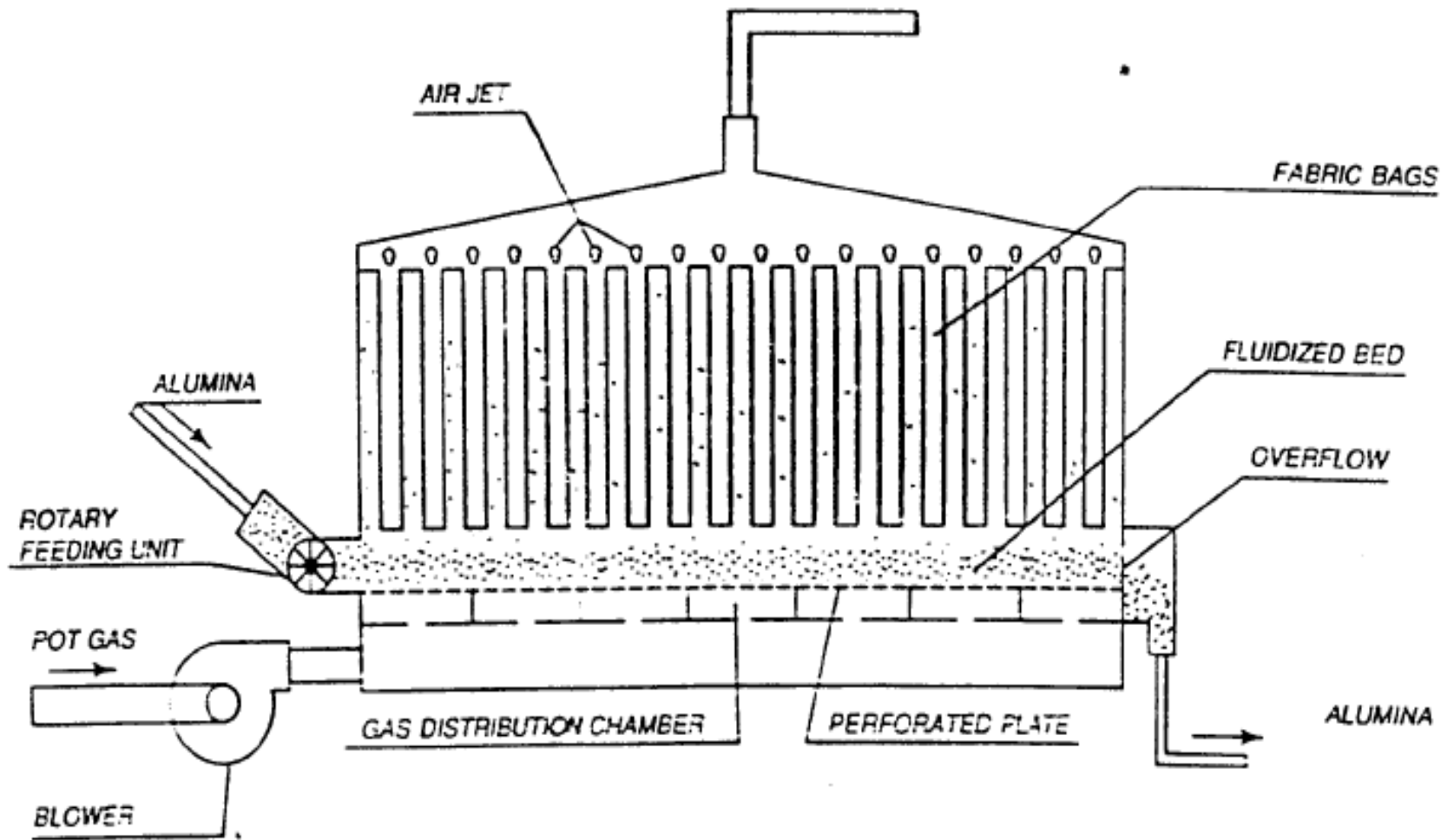


Figure: Fluid-Bed Reactor for Potroom Fumes (Aluminum Company of America, Pittsburg. PA)

Alumbrerie Lauralco Inc.

